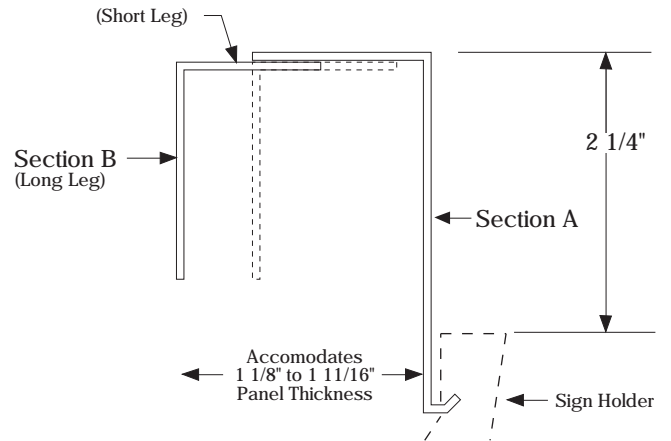


SignMatch® Panel Clip (Extruded)

Mounting Information

Panels from 1 1/8" to 1 11/16" Thick

1. Place Section B over back of panel (long leg down, short leg on top). See Illustration 1.
2. Peel Double-Sided Tape backing off underside of Section A.
3. Place Section A over front of panel, align left to right and slide down onto top of Section B. See Illustration 1.
NOTE: Apply pressure to tape line to assure adhesion.
4. Remove Panel Clip from panel. Engage Panel Clip Hook into Sign Holder Slot (see illustration 2). Dimension from top of panel to holder is fixed at 2 1/4".
5. Return Panel Clip with Sign Holder to panel



Panels from 1 11/16" to 2 3/16" Thick

1. Place Section B over back of panel (short leg down, long leg on top).
 - 2.-5. Same as previous instructions.
- NOTE: Once Panel Clip is assembled, it cannot be used on a panel of larger thickness and may not function properly on a panel of smaller thickness.**

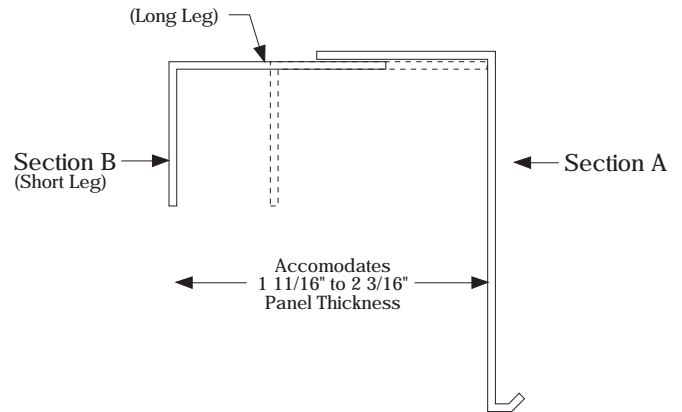


Illustration 1

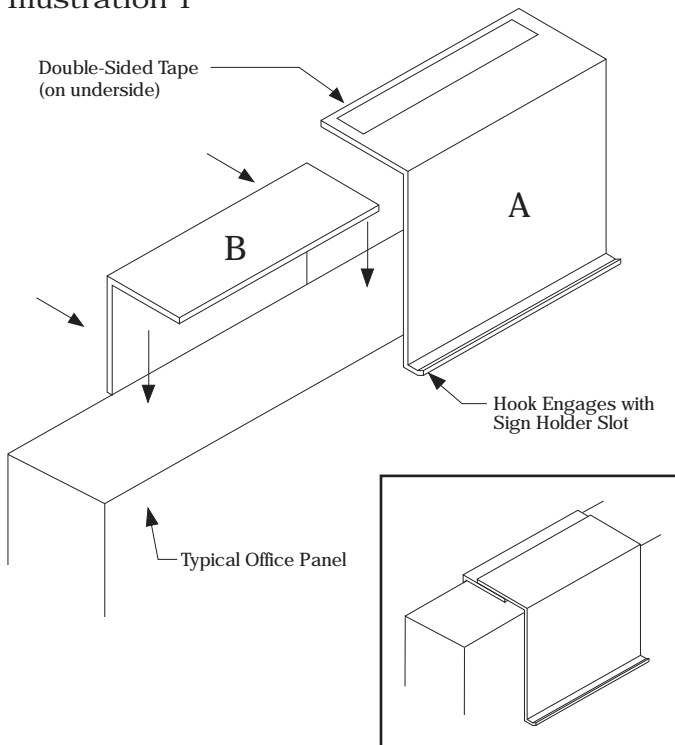
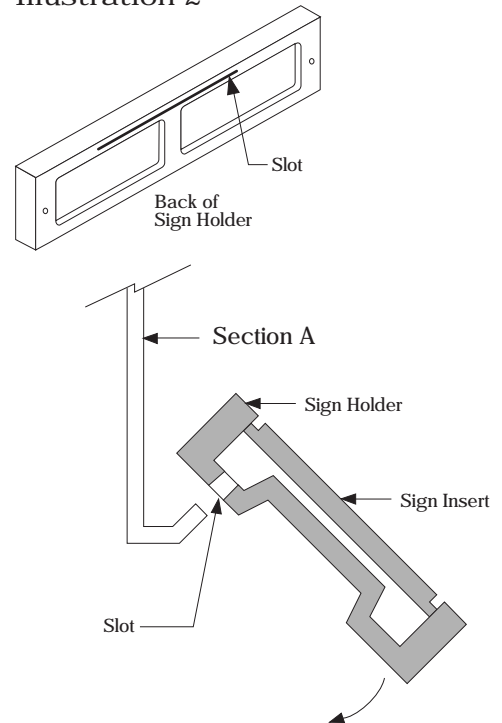


Illustration 2



SignMatch®

PinLockE

Mounting Information

PinLock Position

It is necessary for pins to be in a vertical position in order to be mounted properly to fabric panels (see FIG. 1). The pins swing freely from side to side, but must always remain parallel to the holder.

DO NOT PULL PINS OUTWARD, as they may break off or become separated from holder (see FIG. 2).

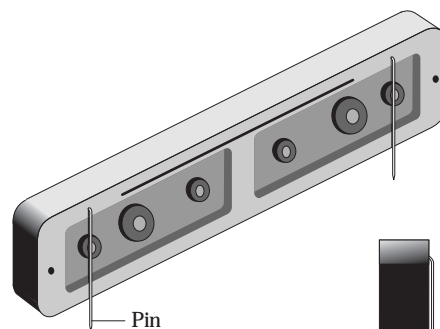


FIG. 1
Correct



FIG. 2
Incorrect

PinLock Installation & Removal

When installing, place holder at a 20 degree angle and insert pins into fabric panel (see FIG. 1).

When removing, **DO NOT PULL OUT AT A SEVERE ANGLE**, as the pins may break off or the fabric may be damaged (see FIG. 2). For correct removal, simply lift holder straight up (see FIG. 3).

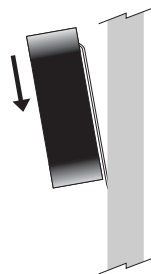


FIG. 1
Correct
Position

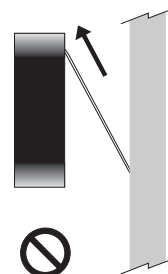


FIG. 2
Incorrect
Position

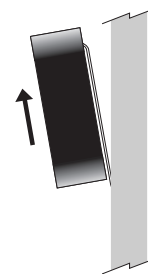


FIG. 3
Correct
Position